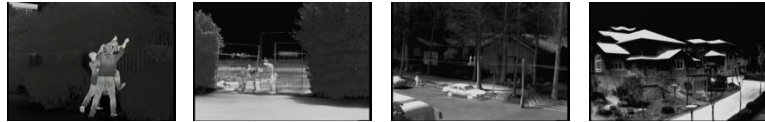


## Thermal Security Cameras TC400PTZ



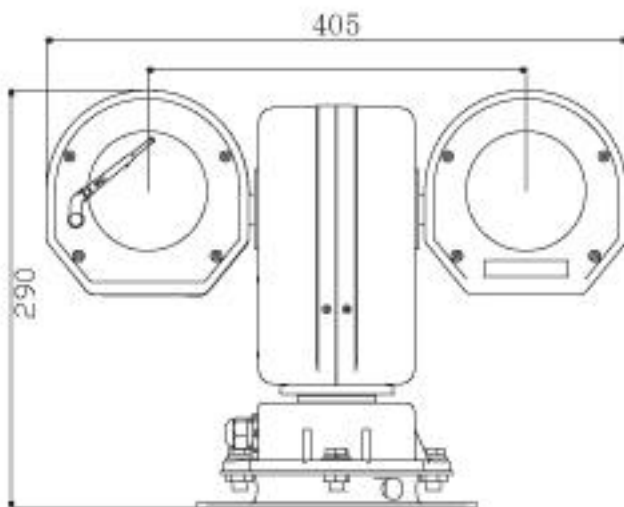
ULIRvision thermal security cameras TC400-PTZ bring high performance of thermal & visual image together in one system, that offer you video & control over analog network. The precision pan/tilt mechanism gives you accuracy pointing control.

ULIRvision TC400-PTZ is ideal tools to any network video security and surveillance systems that needs to secure an area 24/7 basis, 365 days a year. The camera allows the user to detect people, objects and incidents in complete darkness and any harsh environment such as smoke, haze, dust & light fog.

### Benefit:

- Crisp thermal images video, without visual light required
- Anti sun-radiation protection system protects the core unit
- Rugged design, IP66 encapsulation
- Easy to install with different brackets
- Easy to operate, focus free with athermalized lens
- Customized service to meet different customer's needs

### Dimensions



## Technical specification

### Detector Data:

Detector type	Focal plane array(FPA), uncooled microbolometer
IR resolution	384x288 pixels
Pixel pitch	25um
Thermal sensitivity(NETD)	<65mk@30°C

### Image Performance:

Focus	Focus free, athermalized lens
Image processing	Advanced image improvement
Image processing	50/60Hz
Electronic zoom	2x
Polarity/LUT	Black hot / White hot
Brightness/Contrast	Auto/Manual
Invert/Revert	Yes
Video color	Color palette or black & white

### Image Presentation

Video output	NTSC or PAL composite video
--------------	-----------------------------

### System features

Automatic clearing ice	Built-in heater
------------------------	-----------------

### Optics lens

Athermal lens	F	FOV	Human	Vehicle	Athermal lens	F	FOV	Human	Vehicle
40mm	1.0	14° x10°	240m	610m	75mm	1.0	7° x5.5°	460m	1200m

### Visual Camera

CCD	SONY EX1010 36X camera(NTSC) SONY EX1010P 36X camera(PAL)
-----	--

Active pixels	752H X 582V
---------------	-------------

Zoom	432x (36x optical, 12x digital)
------	---------------------------------

Min illumination	0.01lux
------------------	---------

### Pan & Tilt

Pan range	360° continuous, 1-9° /s
-----------	--------------------------

Tilt range	-90° ~+90° , 1~6° /s
------------	----------------------

Preset	Up to 128
--------	-----------

### Environmental Data

Operating temperature range	-30°C ~ +60°C
-----------------------------	---------------

Storage temperature range	-40°C ~ +70°C
---------------------------	---------------

Encapsulation	IP66
---------------	------

Interface	RS485, support Pelco-D
-----------	------------------------

### Physical Data

Weight	Approx. 15kgs
--------	---------------

Size(LXWXH)	405(L) x 260(W) x 290(H)mm
-------------	----------------------------

### Standard Package

Thermal security camera, operator manual, CD-software
---

Zhejiang ULIRvision Technology Co., LTD

Add: 2<sup>nd</sup> Fl., Bldg D. The Westlake International Plaza of Science & Technology, #391 Wener Road, Hangzhou China

Tel: +86 (0)571 87209879 Fax: +86 (0)571 85125358 Email: [overseas@ulirvision.com](mailto:overseas@ulirvision.com) Http://www.ulirvision.com